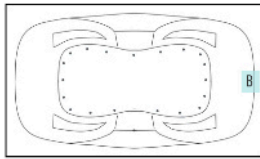
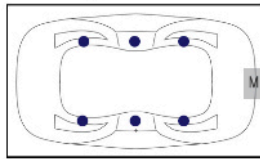


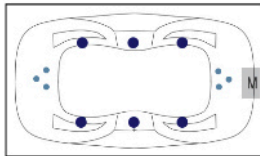
Air Bathtub



6 Jet Bathtub

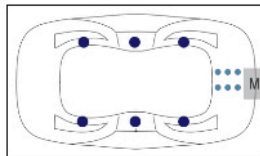


12 Jet Bathtub



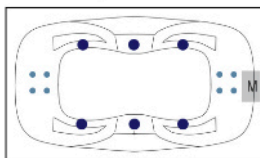
(3 Jets installed on each side)

12 Jet Bathtub



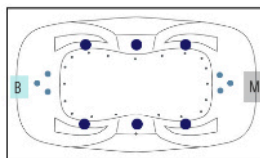
(6 Jets installed on motor side)

14 Jet Bathtub



(Motor can be installed on either side)

Combo Bathtub



(Motors on both sides)

### LEGEND

- M MOTOR
- B AIR BLOWER
- AIR JET
- LG DIRECTIONAL JET
- SM BACK JET

### BATHTUB DIMENSIONS: 72" x 36" x 21"

**ROUGH IN:** 70" x 34" x 23"

**DECK CUT-OUT:** 70" x 34"

**FINISHED DECK HEIGHT:** 23"

**MATERIAL:** Acrylic

**TUB FLOOR:** Slip-Resistant

**WATER CAPACITY:** 70 Gallons

**OVERFLOW HOLE:** Un-drilled. Overflow hole drilled upon request

**SET IN MORTAR?:** Yes, 3" sand mix mortar/concrete set required

**MOTOR INSTALLATION:** Mounted under backrest

*Motor Does not breach Tub's L x W Dimensions*

### ELECTRICAL REQUIREMENTS:

Carver requires one (1) 20 AMP dedicated GFCI Breaker for each power supply provided with the bathtub

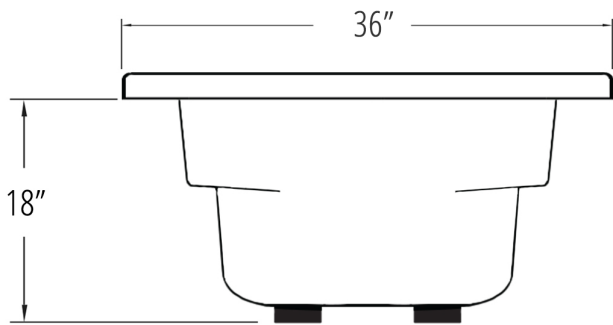
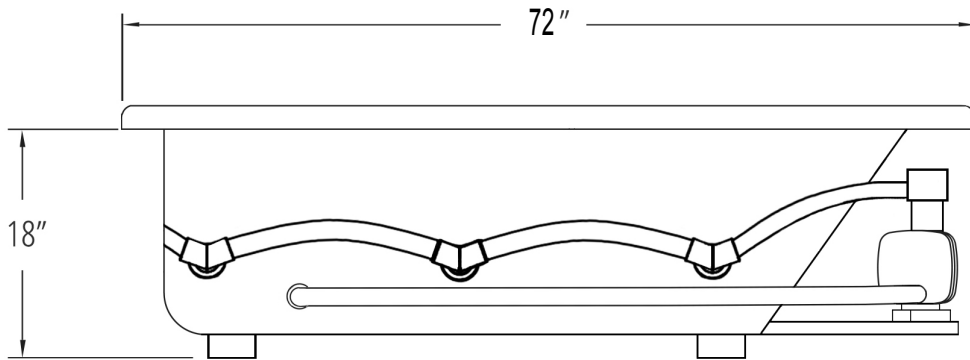
### ELECTRICAL DATA

Component	HP	AMP	Requirement
6 Jet Whirlpool Motor	.75 HP	7AMP	20AMP, 120V, GFCI
12 Jet Whirlpool Motor	1.5 HP	13AMP	20AMP, 120V, GFCI
14 Jet Whirlpool Motor	2 HP	13 AMP	20AMP, 120V, GFCI
Air Blower	1 HP	11.3 AMP	20AMP, 120V, GFCI
Optional Heater	n/a	12.5 AMP	20AMP, 120V, GFCI
LED Light	n/a		Light can share electrical



Carver Tubs  
3303 Main Street  
Grandview, MO 64030





**BATHTUB DIMENSIONS:** 72" x 36" x 21"

**ROUGH IN:** 70" x 34" x 23"

**DECK CUT-OUT:** 70" x 34"

**FINISHED DECK HEIGHT:** 23"

**MATERIAL:** Acrylic

**TUB FLOOR:** Slip-Resistant

**WATER CAPACITY:** 70 Gallons

**OVERFLOW HOLE:** Un-drilled. Overflow hole drilled upon request

**SET IN MORTAR?:** Yes, 3" sand mix mortar/concrete set required

**MOTOR INSTALLATION:** Mounted under backrest

*Motor Does not breach Tub's L x W Dimensions*

**ELECTRICAL REQUIREMENTS:**

Carver requires one (1) 20 AMP dedicated GFCI Breaker for each power supply provided with the bathtub

**ELECTRICAL DATA**

Component	HP	AMP	Requirement
6 Jet Whirlpool Motor	.75 HP	7AMP	20AMP, 120V, GFCI
12 Jet Whirlpool Motor	1.5 HP	13AMP	20AMP, 120V, GFCI
14 Jet Whirlpool Motor	2 HP	13 AMP	20AMP, 120V, GFCI
Air Blower	1 HP	11.3 AMP	20AMP, 120V, GFCI
Optional Heater	n/a	12.5 AMP	20AMP, 120V, GFCI
LED Light	n/a		Light can share electrical



One Person Bath

Carver Tubs  
3303 Main Street  
Grandview, MO 64030

