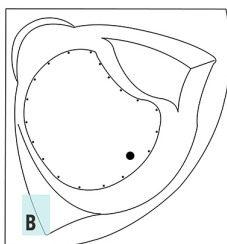
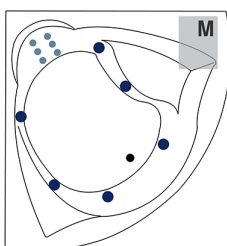


Air Bathtub



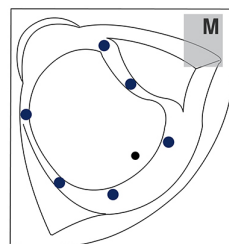
(Motor can be installed on either side)

12 Jet Bathtub



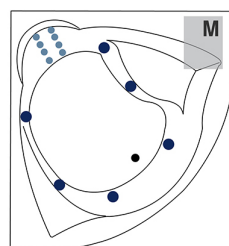
(Motor can be installed on either side)

6 Jet Bathtub



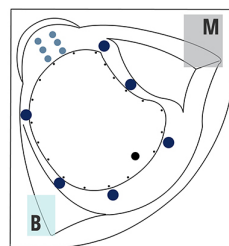
(Motor can be installed on either side)

14 Jet Bathtub



(Motor can be installed on either side)

Combo Bathtub



### LEDGEND

- M** MOTOR
- B** AIR BLOWER
- LG DIRECTIONAL JET
- SM BACK JET
- AIR JET

### BATHTUB DIMENSIONS:

**60" x 60" x 19"**

**ROUGH IN:** 58" x 58" x 21"

**DECK CUT-OUT:** 58" x 58"

**FINISHED DECK HEIGHT:** 21"

**MATERIAL:** Acrylic

**TUB FLOOR:** Slip-Resistant

**WATER CAPACITY:** 90 Gallons

**OVERFLOW HOLE:** Un-drilled. Overflow hole drilled upon request

**SET IN MORTAR?:** Yes, 3" sand mix mortar/concrete set required

### MOTOR INSTALLATION:

Mounted under backrest

Motor Does not breach Tub's L x W Dimensions

Motor can be installed on either corner side

### ELECTRICAL REQUIREMENTS:

Carver requires one (1) 20 AMP dedicated GFCI Breaker for each power supply provided with the bathtub

### ELECTRICAL DATA

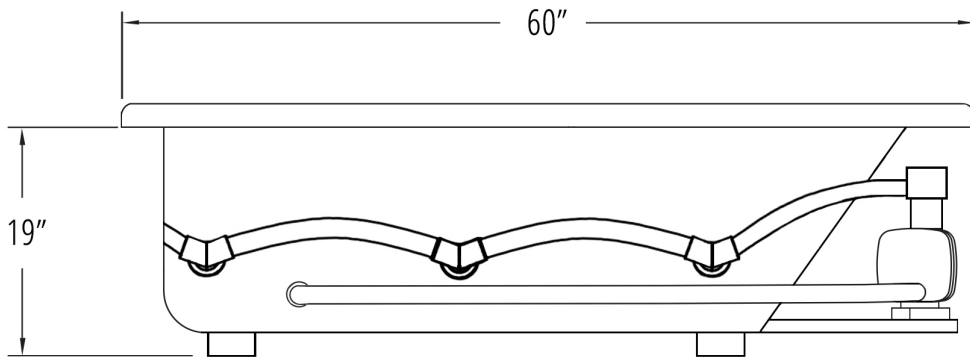
Component	HP	AMP	Requirement
6 Jet Whirlpool Motor	.75 HP	7AMP	20AMP, 120V, GFCI
12 Jet Whirlpool Motor	1.5 HP	13AMP	20AMP, 120V, GFCI
14 Jet Whirlpool Motor	2 HP	13 AMP	20AMP, 120V, GFCI
Air Blower	1 HP	11.3 AMP	20AMP, 120V, GFCI
Optional Heater	n/a	12.5 AMP	20AMP, 120V, GFCI
LED Light	n/a		Light can share electrical



Two Person Bath

Carver Tubs  
3303 Main Street  
Grandview, MO 64030





#### BATHTUB DIMENSIONS:

**60" x 60" x 19"**

**ROUGH IN:** 58" x 58" x 21"

**DECK CUT-OUT:** 58" x 58"

**FINISHED DECK HEIGHT:** 21"

**MATERIAL:** Acrylic

**TUB FLOOR:** Slip-Resistant

**WATER CAPACITY:** 90 Gallons

**OVERFLOW HOLE:** Un-drilled. Overflow hole drilled upon request

**SET IN MORTAR?:** Yes, 3" sand mix mortar/concrete set required

**MOTOR INSTALLATION:** Mounted under backrest

*Motor Does not breach Tub's L x W Dimensions*

*Motor can be installed on either corner side*

#### ELECTRICAL REQUIREMENTS:

Carver requires one (1) 20 AMP dedicated GFCI Breaker for each power supply provided with the bathtub

#### ELECTRICAL DATA

Component	HP	AMP	Requirement
6 Jet Whirlpool Motor	.75 HP	7AMP	20AMP, 120V, GFCI
12 Jet Whirlpool Motor	1.5 HP	13AMP	20AMP, 120V, GFCI
14 Jet Whirlpool Motor	2 HP	13 AMP	20AMP, 120V, GFCI
Air Blower	1 HP	11.3 AMP	20AMP, 120V, GFCI
Optional Heater	n/a	12.5 AMP	20AMP, 120V, GFCI
LED Light	n/a		Light can share electrical



Two Person Bath

Carver Tubs  
3303 Main Street  
Grandview, MO 64030

