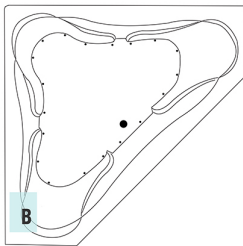
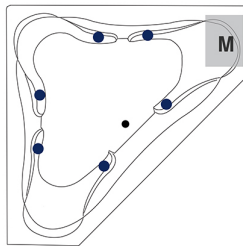


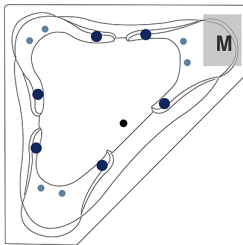
Air Bathtub



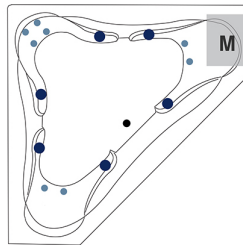
6 Jet Bathtub



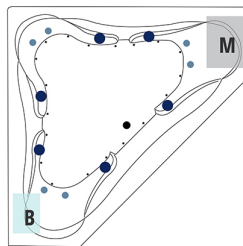
12 Jet Bathtub



14 Jet Bathtub



Combo Bathtub



**LEDGEND**

- M** MOTOR
- B** AIR BLOWER
- LG DIRECTIONAL JET
- SM BACK JET
- AIR JET

**BATHTUB DIMENSIONS:**

**72" x 72" x 21"**

**ROUGH IN:** 70" x 70" x 23"

**DECK CUT-OUT:** 70" x 70"

**FINISHED DECK HEIGHT:** 23"

**MATERIAL:** Acrylic

**TUB FLOOR:** Slip-Resistant

**WATER CAPACITY:** 90 Gallons

**OVERFLOW HOLE:** Un-drilled. Overflow hole drilled upon request

**SET IN MORTAR?:** Yes, 3" sand mix mortar/concrete set required

**MOTOR INSTALLATION:** Mounted under backrest

*Motor Does not breach Tub's L x W Dimensions*

*Motor(s) installed under bathtub seat*

**ELECTRICAL REQUIREMENTS:**

Carver requires one (1) 20 AMP dedicated GFCI Breaker for each power supply provided with the bathtub

**ELECTRICAL DATA**

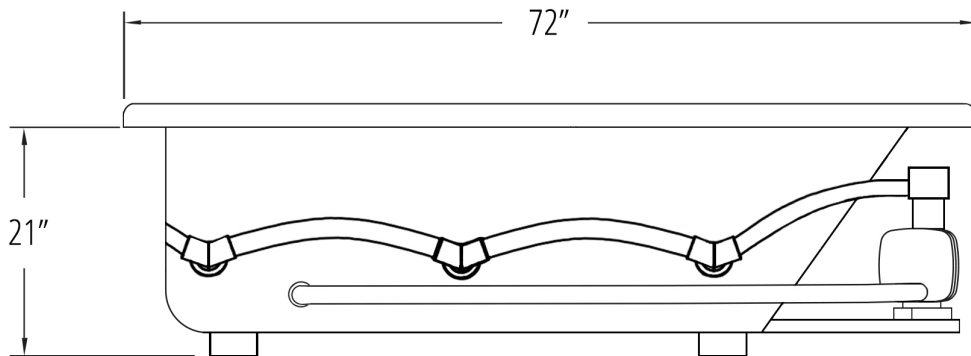
Component	HP	AMP	Requirement
6 Jet Whirlpool Motor	.75 HP	7AMP	20AMP, 120V, GFCI
12 Jet Whirlpool Motor	1.5 HP	13AMP	20AMP, 120V, GFCI
14 Jet Whirlpool Motor	2 HP	13 AMP	20AMP, 120V, GFCI
Air Blower	1 HP	11.3 AMP	20AMP, 120V, GFCI
Optional Heater	n/a	12.5 AMP	20AMP, 120V, GFCI
LED Light	n/a		Light can share electrical



Two Person Bath

Carver Tubs  
3303 Main Street  
Grandview, MO 64030





**BATHTUB DIMENSIONS:**

**72" x 72" x 21"**

**ROUGH IN:** 70" x 70" x 23"

**DECK CUT-OUT:** 70" x 70"

**FINISHED DECK HEIGHT:** 23"

**MATERIAL:** Acrylic

**TUB FLOOR:** Slip-Resistant

**WATER CAPACITY:** 90 Gallons

**OVERFLOW HOLE:** Un-drilled. Overflow hole drilled upon request

**SET IN MORTAR?:** Yes, 3" sand mix mortar/concrete set required

**MOTOR INSTALLATION:** Mounted under backrest

*Motor Does not breach Tub's L x W Dimensions*

*Motor(s) installed under bathtub seat*

**ELECTRICAL REQUIREMENTS:**

Carver requires one (1) 20 AMP dedicated GFCI Breaker for each power supply provided with the bathtub

**ELECTRICAL DATA**

Component	HP	AMP	Requirement
6 Jet Whirlpool Motor	.75 HP	7AMP	20AMP, 120V, GFCI
12 Jet Whirlpool Motor	1.5 HP	13AMP	20AMP, 120V, GFCI
14 Jet Whirlpool Motor	2 HP	13 AMP	20AMP, 120V, GFCI
Air Blower	1 HP	11.3 AMP	20AMP, 120V, GFCI
Optional Heater	n/a	12.5 AMP	20AMP, 120V, GFCI
LED Light	n/a		Light can share electrical



Two Person Bath

Carver Tubs  
3303 Main Street  
Grandview, MO 64030

