

LEDGEND

- M MOTOR
- B AIR BLOWER
- AIR JET
- LG DIRECTIONAL JET
- SM BACK JET

BATHTUB DIMENSIONS: 71 9/16" x 36" x 18"

ROUGH IN: 69" x 34" x 20"
DECK CUT-OUT: 69" x 34"
FINISHED DECK HEIGHT: 20"

MATERIAL: Acrylic
TUB FLOOR: Slip-Resistant
WATER CAPACITY: 70 Gallons
OVERFLOW HOLE: Un-drilled. Overflow hole drilled upon request
SET IN MORTAR?: Yes, 3" sand mix mortar/concrete set required

MOTOR INSTALLATION: Mounted under backrest
Motor Does not breach Tub's L x W Dimensions

ELECTRICAL REQUIREMENTS:
 Carver requires one (1) 20 AMP dedicated GFCI Breaker for each power supply provided with the bathtub

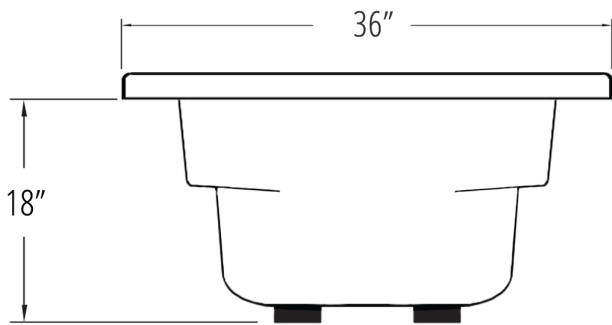
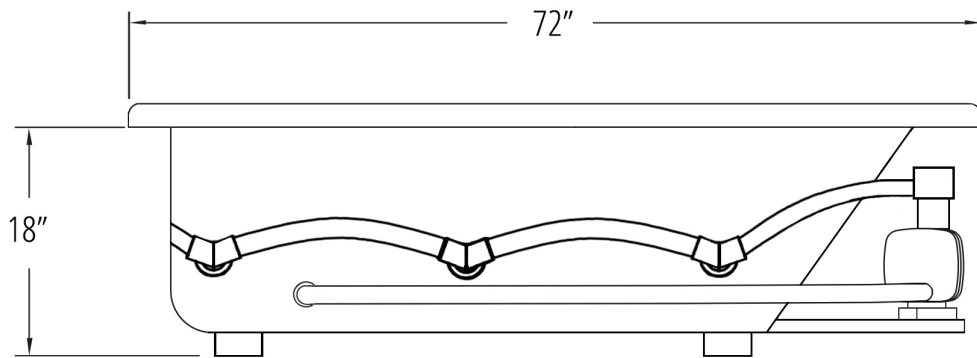
ELECTRICAL DATA

| Component | HP | AMP | Requirement |
|------------------------|--------|----------|----------------------------|
| 6 Jet Whirlpool Motor | .75 HP | 7AMP | 20AMP, 120V, GFCI |
| 12 Jet Whirlpool Motor | 1.5 HP | 13AMP | 20AMP, 120V, GFCI |
| 14 Jet Whirlpool Motor | 2 HP | 13 AMP | 20AMP, 120V, GFCI |
| Air Blower | 1 HP | 11.3 AMP | 20AMP, 120V, GFCI |
| Optional Heater | n/a | 12.5 AMP | 20AMP, 120V, GFCI |
| LED Light | n/a | | Light can share electrical |



Carver Tubs
 3303 Main Street
 Grandview, MO 64030





BATHTUB DIMENSIONS: 71 9/16" x 36" x 18"

ROUGH IN: 69" x 34" x 20"

DECK CUT-OUT: 69" x 34"

FINISHED DECK HEIGHT: 20"

MATERIAL: Acrylic

TUB FLOOR: Slip-Resistant

WATER CAPACITY: 70 Gallons

OVERFLOW HOLE: Un-drilled. Overflow hole drilled upon request

SET IN MORTAR?: Yes, 3" sand mix mortar/concrete set required

MOTOR INSTALLATION: Mounted under backrest

Motor Does not breach Tub's L x W Dimensions

ELECTRICAL REQUIREMENTS:

Carver requires one (1) 20 AMP dedicated GFCI Breaker for each power supply provided with the bathtub

ELECTRICAL DATA

| Component | HP | AMP | Requirement |
|------------------------|--------|----------|----------------------------|
| 6 Jet Whirlpool Motor | .75 HP | 7AMP | 20AMP, 120V, GFCI |
| 12 Jet Whirlpool Motor | 1.5 HP | 13AMP | 20AMP, 120V, GFCI |
| 14 Jet Whirlpool Motor | 2 HP | 13 AMP | 20AMP, 120V, GFCI |
| Air Blower | 1 HP | 11.3 AMP | 20AMP, 120V, GFCI |
| Optional Heater | n/a | 12.5 AMP | 20AMP, 120V, GFCI |
| LED Light | n/a | | Light can share electrical |



Carver Tubs
3303 Main Street
Grandview, MO 64030

