

Carver

Alcove Tub Installation Guide



BEFORE YOU BEGIN

We recommend consulting a professional, if you are unfamiliar with installing plumbing fixtures. Carver accepts no liability for any damage to the product, the home, or for personal injury during installation.

Observe all local plumbing and building codes. Upon arrival, unpack and inspect the items for shipping damage. If any damage is found, contact our Customer Relations team at 816-547-3194.



Carver

Alcove Tub Installation Guide

Tools and
Materials
Needed



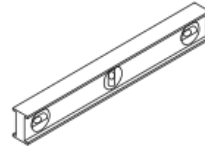
Square



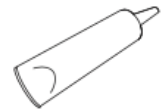
Tape Measure



Pencil

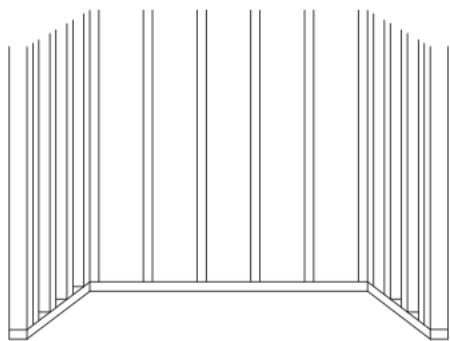


Level

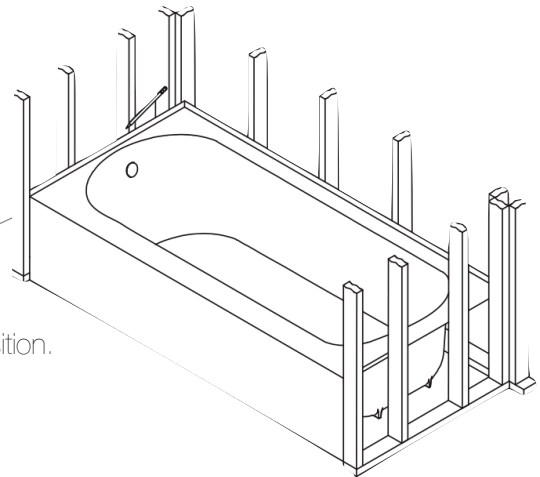


Silicone Sealant

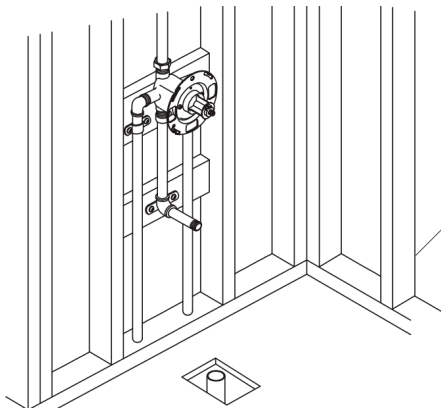
Among conventional tools and supplies



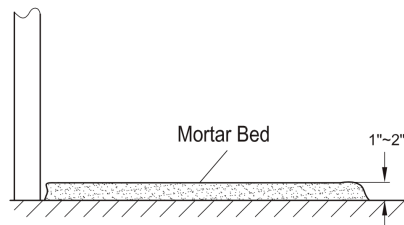
Prepare area and frame to bathtub dimensions



Set tub in place to level and mark sides,
stud locations (on tile flange) and drain position.



Remove tub and install drain, and supply.
Pre-drill tile flange at marked stud locations



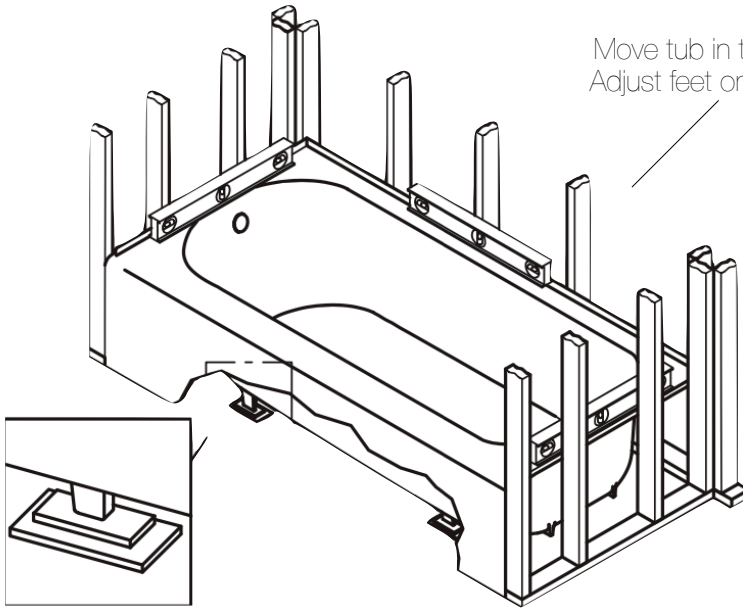
Apply thin layer of mortar mix
(1" to 2") to weight bearing area of tub basin



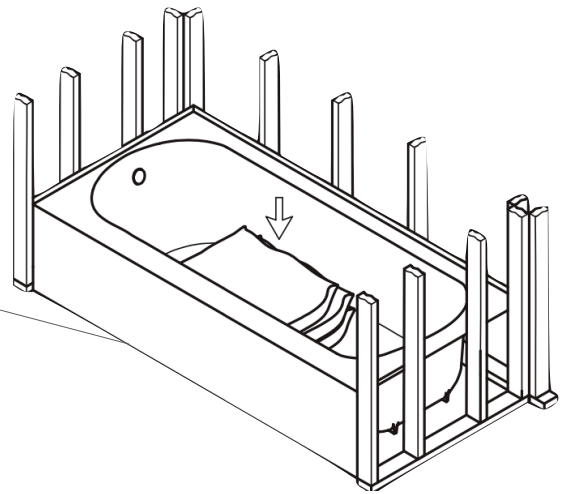
Carver

Alcove Tub Installation Guide

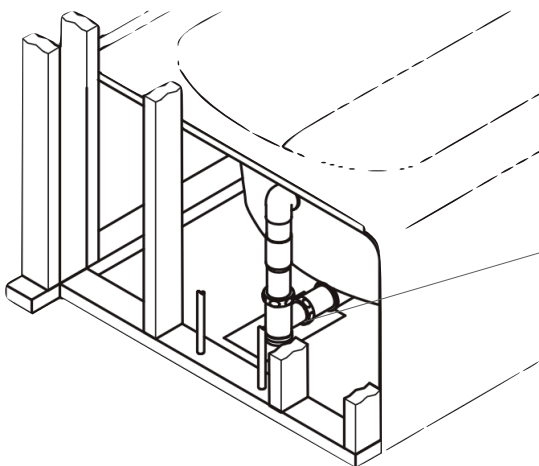
Move tub in to position. Ensure level and plumb.
Adjust feet or shim as necessary.



Apply weight to tub center (until mortar dries)
Install galvanized or stainless screws to
pre-drilled stud holes.



Attach drain lines according to local code.



Install backer board. Seal to tub (Silicone)
Install finish material I.E. Tile/Stone
Seal to tub top to prevent water leakage/damage

Water-Resistant
Silicone Sealant

