

# Carver

## Freestanding Tub Installation Guide

### BEFORE YOU BEGIN

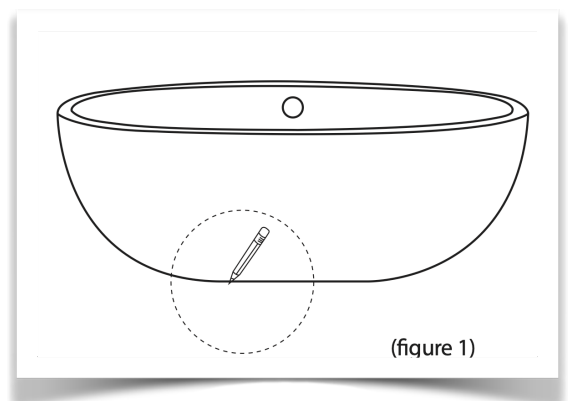
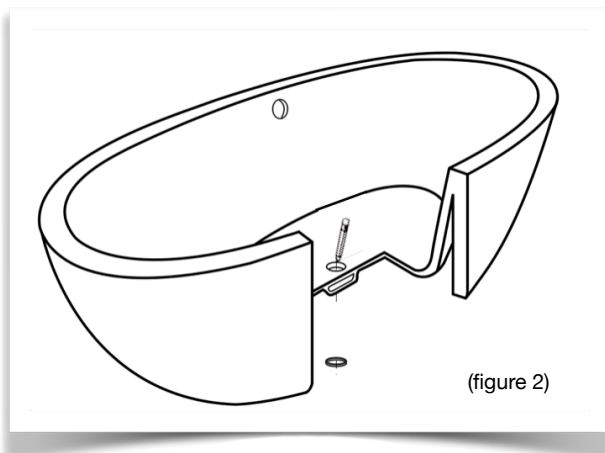
We recommend consulting a professional, if you are unfamiliar with installing plumbing fixtures. Carver accepts no liability for any damage to the product, the home, or for personal injury during installation.

Observe all local plumbing and building codes. Upon arrival, unpack and inspect the items for shipping damage. If any damage is found, contact our Customer Relations team at 816-547-3194.

**Note:** Drain, waste locations, and trim options vary by model. All preinstalled parts should be checked and retightened before installation.

### PREPARATION

1. Clean, level, and prepare the floor for installation.
2. Place the unit in the exact installed position and trace the outline of the tub with a pencil or any erasable marker (figure 1).
3. Determine the location of the drain, on the floor by taking measurements of the pipe's location underneath the unit or mark floor through tub's drain hole. (figure 2).



4. Using a blanket, cardboard or other clean protective surface turn the unit on its side so the tub is properly supported and protected during drain installation.

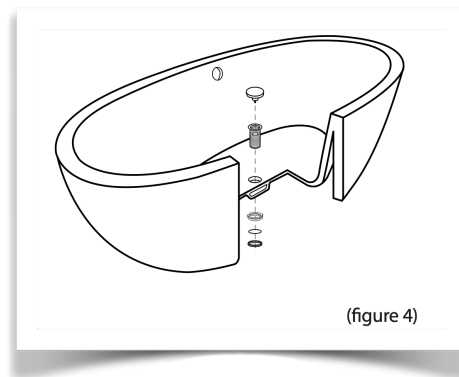
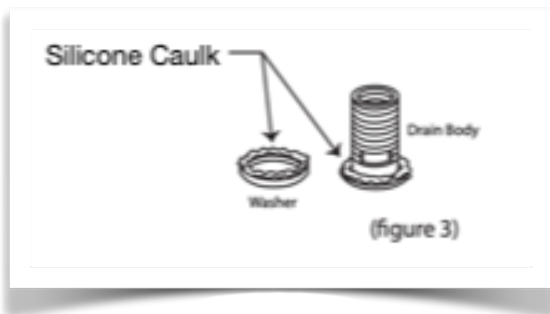
5. Clean the drain hole area in preparation of attaching the drain assembly. The area should be clean, dry and free of debris or burrs.

# Carver

## Freestanding Tub Installation Guide

### INSTALL DRAIN HARDWARE

6. Apply a bead of clear silicone around the drain body and pass it through the drain hole (figures 3 & 4).



7. Attach the drain body nut and washers according to manufacturers' direction and tighten until the nut and washer have created a seal with the bottom of the bathtub. PLEASE DO NOT OVER TIGHTEN!

**NOTE:** All parts involved in tailpiece installation are provided by the installer.

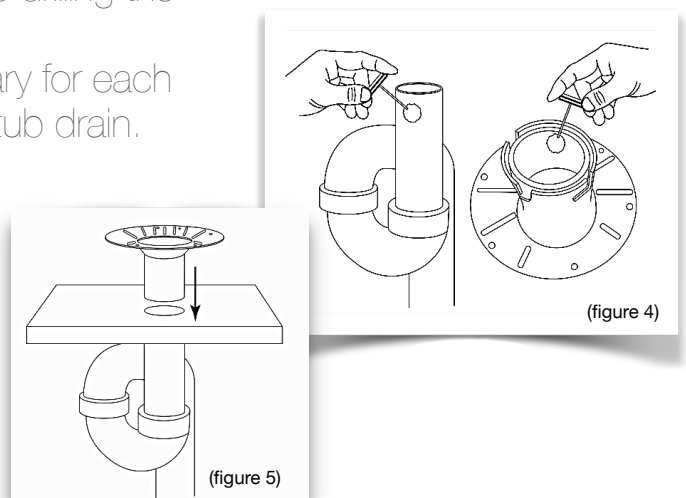
8. Drain waste vent must always be installed according to local standards. Verify the placement of the bathtub before drilling the hole for the drain.

9. Cut tail piece to desired length (will vary for each installation). Install 1 1/2" tail piece to the tub drain.

10. Slide tail piece nut over tail piece towards flanged end.

14. Connect tail piece assembly to tub.

15. Cement receiver of EZ Plumb® Drain Assembly to main drain line. (figures 4 & 5)



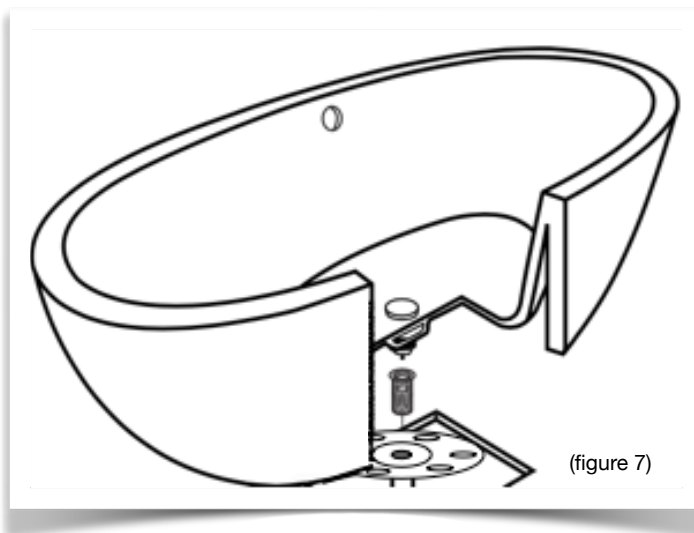
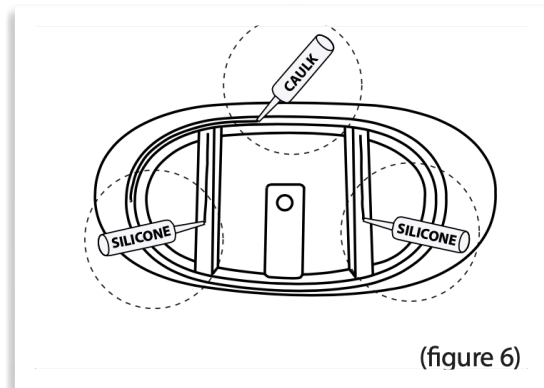
# Carver

## Freestanding Tub Installation Guide

### INSTALL BATHTUB

16. Apply a generous bead of adhesive or silicone to the bottom of the tub supports and feet that meet the floor (figure 6).

17. Carefully set tub into position (figure 7) connecting the drain hardware.



### COMPLETE BATHTUB INSTALLATION

19. With the bathtub now in place, wipe off any excess caulk where the tub meets the floor.

20. Fill the tub with water to the overflow and then drain the tub while inspecting the waste connections for leaks.