

# Carver

## Shower Pan Installation Guide



### BEFORE YOU BEGIN

We recommend consulting a professional, if you are unfamiliar with installing plumbing fixtures. Carver accepts no liability for any damage to the product, the home, or for personal injury during installation.

Observe all local plumbing and building codes. Upon arrival, unpack and inspect the items for shipping damage. If any damage is found, contact our Customer Relations team at 816-547-3194.

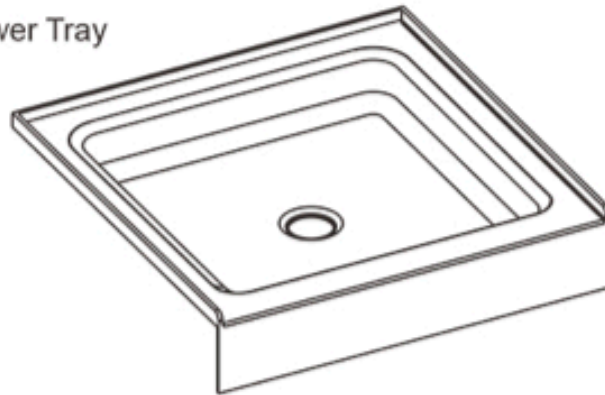
# Carver

## Shower Pan Installation Guide

### **PARTS INCLUDED**

---

Shower Tray



### **TOOLS AND MATERIALS REQUIRED**

---



Safety glasses



Utility knife



Pencil



Shims



Tape measure



Drop cloth



Square



Level



Caulk gun



Adhesive  
(1 tube)



Sealant  
(1 tube)



Drill



Drill bit  
(Ø5 mm)



30mm screws  
(zinc or stainless;  
panhead or  
roundhead)



Extension bit  
holder



Phillips bit  
(for use with  
extension bit  
holder)



1/4\" v-notched  
trowel

 Lumber for additional wall studs if installing wall set; refer to wall set installation instructions

**TIP : You may want to install insulation**

# Carver

## Shower Pan Installation Guide

### REQUIREMENTS FOR SUCCESSFUL INSTALLATION



**DO NOT :Use drywall screws to secure flanges to wall studs.  
Product damage will occur and will void the warranty.  
Entire bottom support must be in contact with a flat, level surface.**

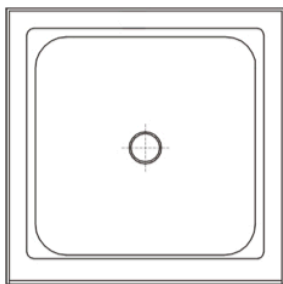
1. Read complete instructions before beginning installation.
2. Confirm that your model will fit in intended location and plumbing fixtures are located where required before beginning installation.
3. Walls and sub-floor must be solid, plumb, and square.
4. If installation surface is not level, use leveling compound or mortar bed for proper installation.
5. Use drop cloth to protect bathtub from damage during installation.
6. Two people recommended to install this product.

#### TECHNICAL DIMENSION

Technical dimension:

#### Available Sizes

60 x 32    60 X 34    48 X 32    48 X 34



Top View



Front View

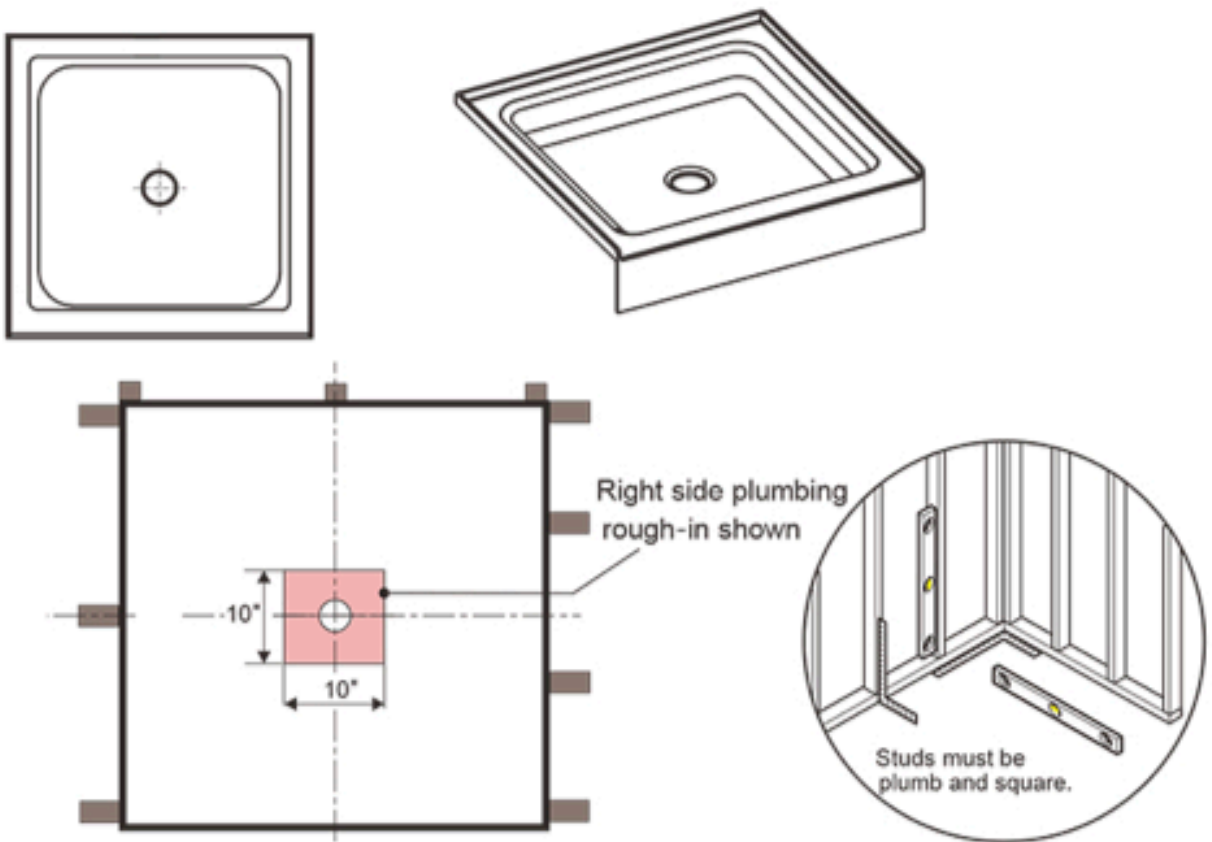


# Carver

## Shower Pan Installation Guide

### ROUGHING-IN

---



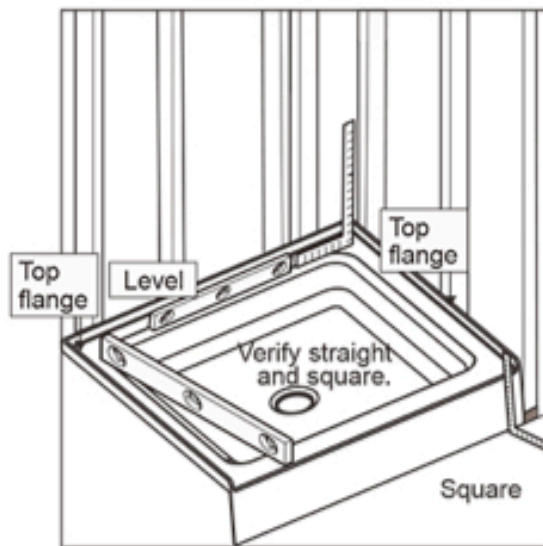
**\* Rough plumbing must be installed before bathtub installation.**

# Carver

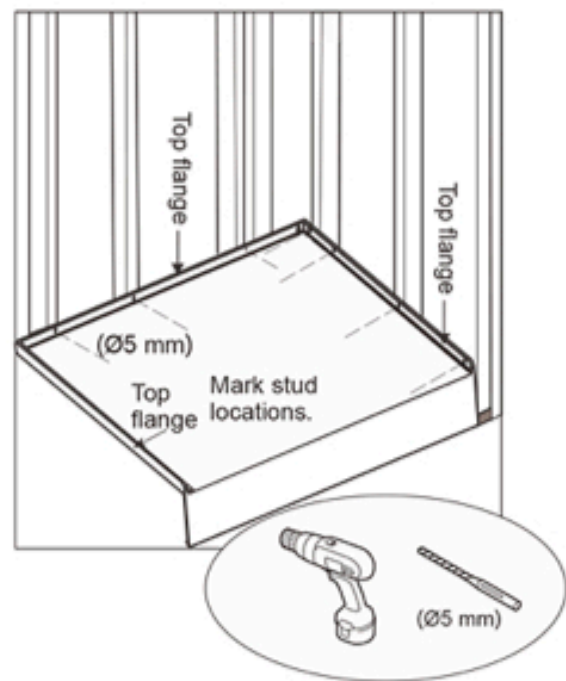
## Shower Pan Installation Guide

### INSTALLATION

B.

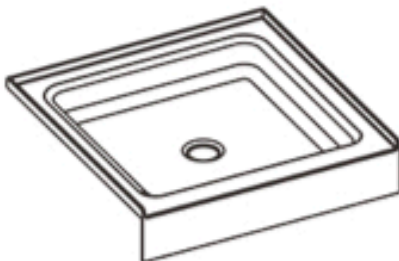


C.

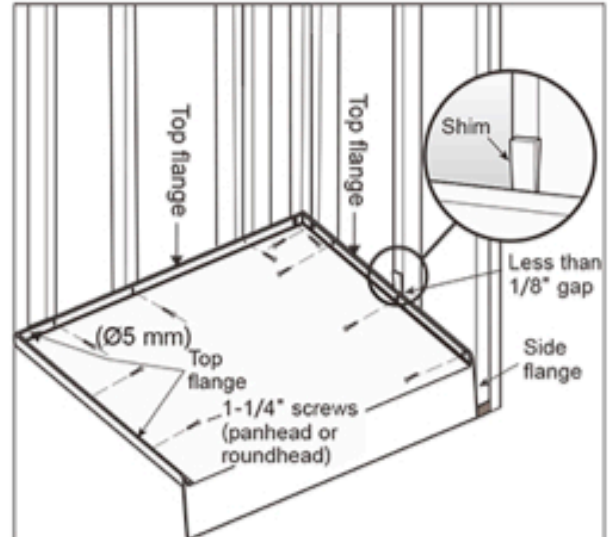


D.

Plumber's putty will degrade bathtub material. Do not use plumber's putty to seal between drain and bathtub. Use latex/acrylic sealant or a gasket.



E.



**TIP:** Place drop cloth in bathtub and stand inside bathtub to press it to floor when securing to wall studs.

# Carver

## Shower Pan Installation Guide

### **LIMITED WARRANTY**

---

Please refer to the product label to outline your model's limited warranty period. The manufacturer warrants to the original consumer purchaser that its products will be free of defects in materials and workmanship, subject to the limitations, exclusions and conditions that follow, from date of original purchase as shown on purchaser's receipt. The manufacturer will, at its discretion, replace or repair **FREE OF CHARGE** except as noted below, during the warranty period, any part that the manufacturer determines to be defective in material and/or workmanship under normal installation, use and service. The original consumer purchaser must notify the manufacturer in writing of any defect covered by the warranty.

**THIS WARRANTY IS THE ONLY EXPRESS WARRANTY MADE BY THE MANUFACTURER. ANY CLAIMS MADE UNDER THIS WARRANTY MUST BE MADE DURING THE PERIOD REFERRED TO ABOVE. MANUFACTURER MAKES NO IMPLIED WARRANTY OF MERCHANTABILITY OR FITNESS FOR A PARTICULAR PURPOSE. LABOR CHARGES AND/OR DAMAGE INCURRED IN INSTALLATION, REPAIR OR REPLACEMENT AS WELL AS INCIDENTAL AND CONSEQUENTIAL DAMAGES CONNECTED THEREWITH ARE EXCLUDED AND WILL NOT BE PAID BY THE MANUFACTURER.**

Some states do not allow limitations on how long an implied warranty lasts, or the exclusion or limitation of incidental or consequential damages, so the above limitations or exclusions may not apply to you. This warranty gives you specific legal rights, and you may also have other rights which vary from state to state. This warranty is void for any damage to this product due to misuse, abuse, neglect, accident, improper installation, modification, unauthorized repair, or any use violative of instructions furnished by us.